

ELIET
MANUAL

TL450 PRO
TL450 PRO HD



This manual contains practical information about the use and maintenance of the machine. **Read it carefully and keep the manual in a safe place.**



Make sure that you **keep** your purchasing invoice and/or receipt **together with this manual.**



Register your purchase online at **www.elieta.eu**

© ELIET

Copyright 2012 ELIET. All rights reserved. The texts, images and other information in this manual are protected by copyright and also by other intellectual property rights. Therefore, nothing from this manual may be used for commercial or other purposes.

Certain parts in this manual are also protected by copyright owned by Eliet suppliers.

1. Introduction



1.1 Read this operating manual carefully

ELIET machines are designed for safe and reliable use if they are operated in accordance with the instructions provided. Carefully read these operating instructions before using the machine. Failure to do so may result in personal injury or damage to the equipment.

1.2 Identification data - ELIET TL450 PRO - TL450 PRO HD

Write the identification data of your machine in the text boxes:

Type number:

Serial number:

Year of manufacture:

MA
20

2. Warranty



2.1 Warranty card

To be eligible for warranty you must send the completed warranty card to the address stated below within one month from the date of purchase:

European customers :

ELIET EUROPE NV

Diesveldstraat 2

8553 Otegem

T (+32)(0)56 77 70 88 - **F** (+32)(0)56 77 52 13

e-mail: service@eliet.eu, www.eliet.eu

US customers :

ELIET USA Inc.

3361 Stafford Street (office B)

15204 Pittsburgh, PA

T (+001) 412 367 5185 - **Fax** (+001)412 774 1970

e-mail: usinfo@elietusa.com, www.elietusa.com

Read the warranty conditions on the attached warranty card.



3. Welcome



Welcome to the family of ELIET users.

We thank you for the trust that you have placed in ELIET and we are convinced that you have purchased the very best machine. The operating life of your ELIET machine depends on how you care for your machine. This manual and the motor manual included will help you on your way. Strict adherence to the instructions and suggestions in these manuals will guarantee optimum performance of your ELIET machine for a very long time.

We ask you to please read this manual carefully before operating the machine. This will prevent incorrect operation of the machine.

For your own safety, please observe the safety instructions specified in the relevant chapter. Even if you are thoroughly familiar with operating such equipment, it is still advisable to read these pages carefully.

All ELIET equipment and machines are continually being updated and improved and therefore the specification of your machine may differ slightly in terms of shape, technology and accessories. The descriptions and technical data in this manual are accurate at the time of printing. Certain illustrations and descriptions may not be applicable to your specific machine, but instead relate to a different version of the machine. For this reason, discrepancies or deviations in the texts and illustrations in this manual cannot give rise to any claims, as you may well understand. If you still have questions after you have read this manual, please contact your ELIET dealer.

ELIET AT YOUR SERVICE



Diesveldstraat 2
B-8553 Otegem
Belgium

Tel : (+32) (0)56 77 70 88
Fax : (+32) (0)56 77 52 13
E-mail: service@eliet.be

4. Table of contents

1. Introduction	3
1.1 Read this operating manual carefully	3
1.2 Identification data - ELIET TL450 PRO - TL450 PRO HD	3
2. Warranty	3
2.1 Warranty card	3
3. Welcome	4
4. Table of contents	5
5. Safety symbols	7
5.1 For your information	7
5.2 Attention	7
5.3 Warning	7
6. Main parts	8
6.1 Overall view	9
6.1.1 TL450 PRO	8
6.1.2 TL450 PRO HD	9
6.2 Engines	10
6.2.1 TL450 PRO	10
6.2.2 TL450 PRO HD	10
7. Safety instructions	11
7.1 Safety messages	11
7.2 Safety features	13
7.3 Safety instructions	15
7.3.1 General safety instructions	15
7.3.2 Careful and proper use	15
7.3.3 Operator's responsibilities	16
7.3.4 Personal protective equipment	16
7.3.5 Danger zone	17
7.3.6 Periodic maintenance	17
8. Dealer's duties	18
9. Operating instructions	19
9.1 Preliminary checks	17
9.1.1 Hitching the TL450 PRO HD to a trailer or van	20
9.1.2 Hitching the TL450 PRO to a trailer or van	22
9.1.3 Checklist	22
9.2 Preparing the work area	23
9.3 Starting the engine	24
9.4 Operating the machine	25
10. Transporting the machine	27
11. Maintenance	28
11.1 General	28
11.2 Lubricants	29
11.3 Routine check before each operation	29

11.3.1 Visual check	29
11.3.2 Engine oil level	29
11.3.3 Cleaning the air filter	29
11.3.4 Checking the propeller	30
11.3.5 Checking belt pulleys.	31
11.3.6 Cleaning the machine	31
11.4 Maintenance after 20 hours of operation.	32
11.4.1 General lubrication treatment	32
11.4.2 Changing the oil	34
11.4.3 Checking the spark plug	35
11.4.4 Replacing the air filter	35
11.4.5 Belt drive tension.	35
12. Storing the machine	37
13. Equipment specifications	38
14. Appendices	39
14.1 Dismantling the turbine protection plate	38
14.2 Changing the blowing direction of the blow chute	39
15. Warranty conditions.	40
16. CE Declaration of conformity	40

5. Operator safety symbols



This operating manual contains certain symbols to provide additional information and to highlight dangers.

5.1 For your information



For your information:

This symbol is used to draw your attention to specific information and/or actions, or to indicate where you can find additional information relating to the subject.

5.2 Caution



Caution:

This symbol suggests safe practices. The purpose is to prevent incorrect operation that could result in personal injury or damage to the machine.

5.3 Warning



Warning:

This notice warns you about extreme danger that you must be aware of in these specific circumstances.

So for the sake of your own safety, remain alert at all times.

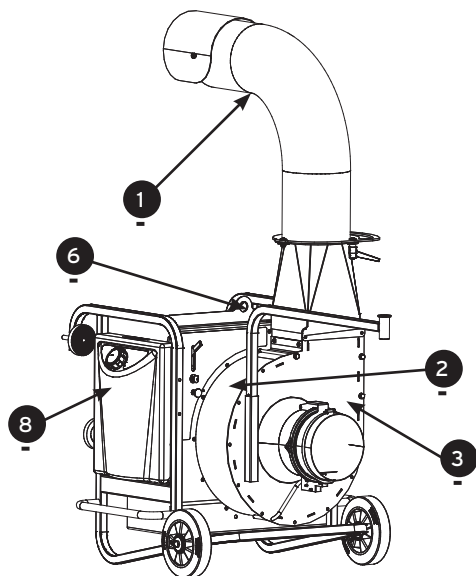
6. Main machines parts



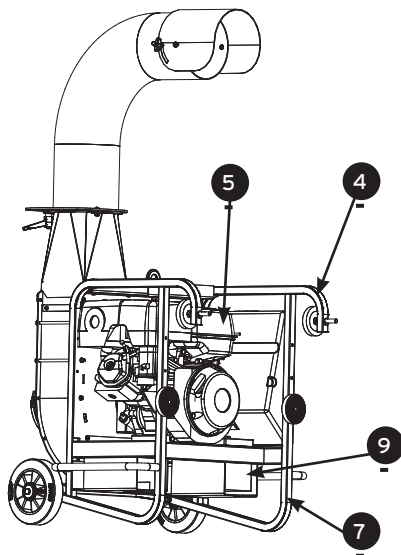
To fully understand the content of this operating manual you need to be fully conversant with the terminology used for the descriptions. This chapter refers to a broad range of machine parts and identifies their names. We recommend that you take the time to study the machine prior to its use for a better understanding of the descriptions provided in this operating manual.

6.1 Overall view

6.1.1 TL450 PRO

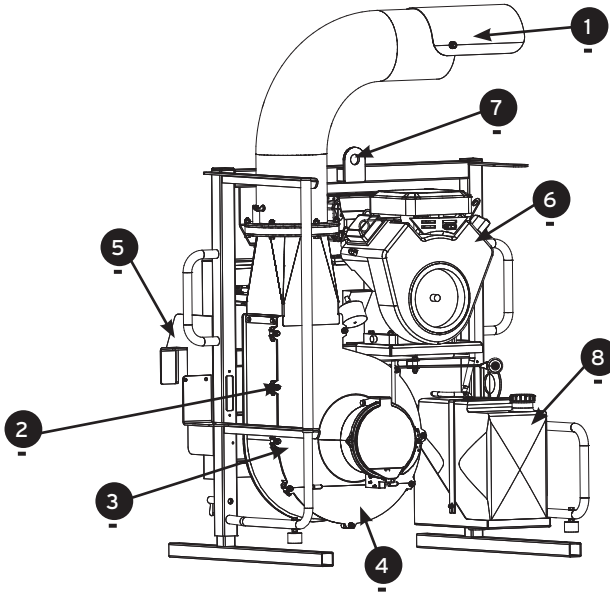


1. 360° rotatable blow chute with directional valve
2. Turbine
3. Protective plate
4. Hook with adjustable support leg



5. Engine
6. Suspension eye
7. Support leg
8. Petrol tank
9. Battery

6.1.2 TL450 PRO HD

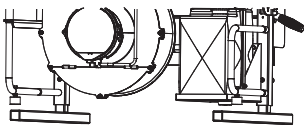


- 1. 360° rotatable blow chute with directional valve
- 2. Turbine
- 3. Protective plate
- 4. Cleaning valve

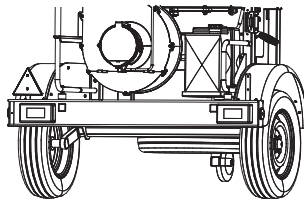
- 5. Hook
- 6. Engine
- 7. Suspension eye
- 8. Petrol tank

The TL450 PRO HD is available with 4 support systems:

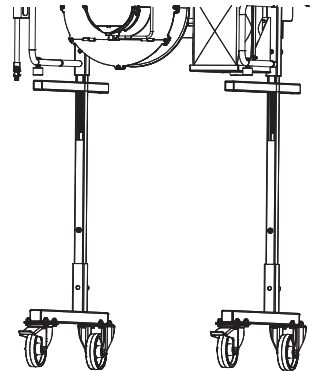
Stationary carrier frame



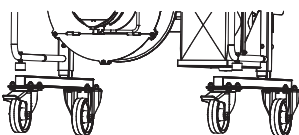
Trailer



Lifting system



Carrier frame on





For your information:

Your ELIET dealer remains at your service for any maintenance or advice, ensuring your ELIET machine is always in perfect condition. You can contact him for original ELIET parts and lubricants at any time. These service parts are manufactured according to the same strict rules and craftsmanship as the original equipment.



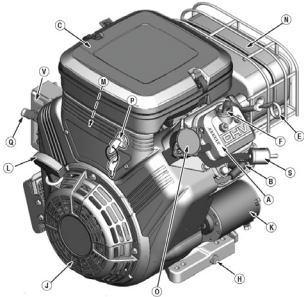
Caution:

For your own safety, only original parts may be mounted on ELIET machines.

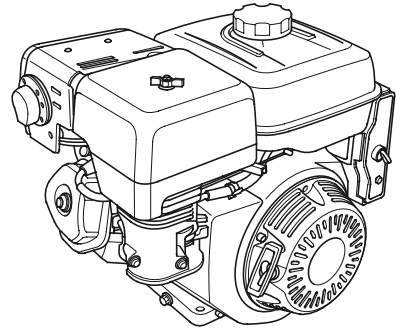
6.2 Engines

6.2.1 TL450 PRO

23hp & 18hp B&S Vanguard

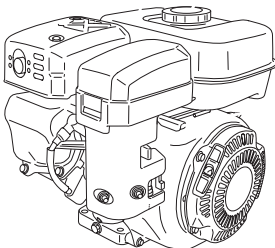


9hp Honda GX270 & 13hp Honda GX390

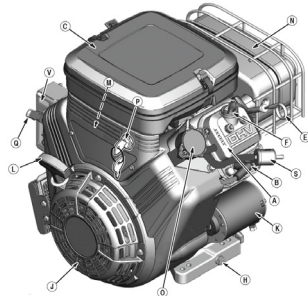


6.2.1 TL450 PRO HD

14hp Subaru electro start



18hp B&S Vanguard electro start



7. Safety instructions

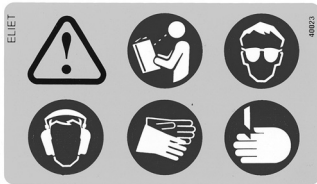


7.1 Safety messages



This sticker is affixed on the belt protection cover and warns about the danger of hand injuries. Never insert hands or feet into the suction pipe. The engine must be turned off in case of faulty operation or before starting maintenance.

Art.no.: BQ 505 010 070



This sticker is affixed on the machine near the engine. This sticker provides a summary of the general safety regulations by using icons:

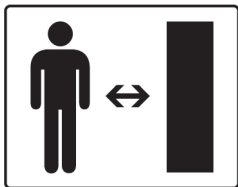
1. Before operating the machine, the manual should be read and understood.
2. Suitable safety clothing (gloves, safety goggles, ear protection) should be worn when operating the machine
3. Working with or performing maintenance on the machine poses the risk of cuts to hands and feet. Be attentive and cautious.

Art.no.: BQ 505 010 050



This sticker is affixed on the machine near the engine. This sticker points out to the operator that the engine must be turned off before starting maintenance on the machine.

Art.no.: BQ 505 010 040



This sticker is affixed next to the engine. It reminds the operator to keep bystanders at a distance while operating the machine.

Item no.: BQ 505 010 150

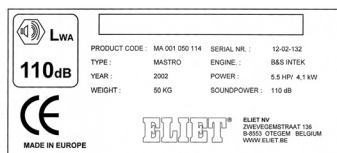


This sticker is affixed on the cover of the driving belt. It indicates the potential danger arising when the cover is removed while the engine is running. The machine may never be operated without the cover. The engine must be switched off before removing the cover at all times.

Art.no.: BQ 505 010 130

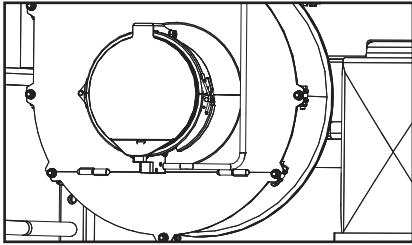
This unique sticker contains all machine identification data.

- Year of manufacture
- Model
- Type number
- Serial number
- Capacity
- Weight
- Guaranteed A-weighted noise level

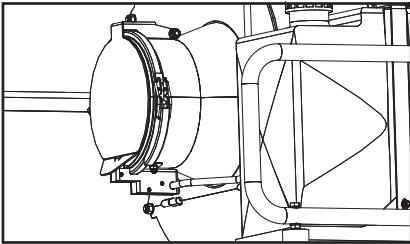


In addition, the sticker bears the information about the manufacturer. The sticker bears the seal of conformity with European standards in the form of a CE label.

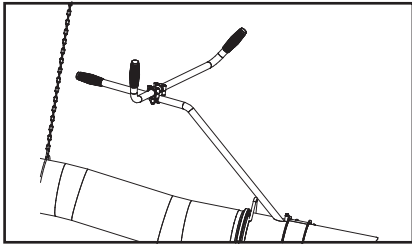
7.2 Safety features



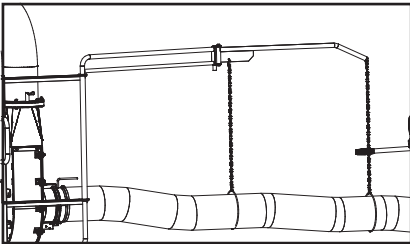
Protective covers: All outward-rotating parts that could potentially cause accidents are shielded by a protective cover. This involves the protective cover for the belt drive and the protective plate that shuts once the suction hose is moved away from the turbine.



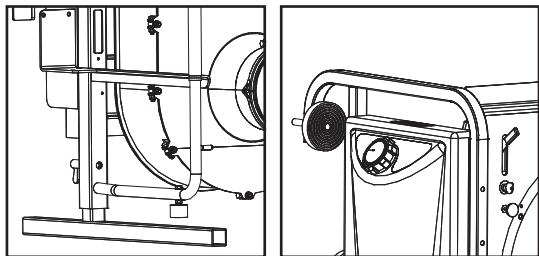
Safety contact: which switches the engine off once the suction hose is moved away from the turbine.



An ergonomic handle: allows the suction opening of the hose to be operated with ease. The support wheel means that the suction opening does not need to be held up.



The support arm: ensures that the suction hose is always held up, increasing user-comfort.



Adjustable legs: allows the TL 450 PRO to be modified according to the wall to which it is to be secured. This allows work to take place under the safest possible conditions.



Warning:

Never attempt to circumvent or disengage safety devices. Safety measures were designed for your safety. Before using the machine, the operator should check that the safety device works properly. Any defects must be repaired prior to using the machine.

7.3 Safety instructions

7.3.1 General safety instructions



Warning:

Most accidents are caused by carelessness or reckless behaviour.

- The owner of the machine will keep this manual during its complete service life. A reference guide for the user, it also ensures that the machine is used and maintained correctly at all times. Always refer to this instruction manual if you have any doubts about an operation that you are about to perform.
- If the instructions stated in this manual are not clear to you, do not hesitate to contact your ELIET dealer for further explanation. The help desk at ELIET is at your service to answer all of your questions (+32 56 77 70 88).
- Be sure to read the chapter which is intended for the dealer and verify whether the machine was delivered in accordance with the instructions.
- Carefully observe all safety instructions when using this ELIET machine. Make sure to read all the instructions about how to operate the machine. All these instructions are for your own safety.
- Get advice from the dealer or another professional when purchasing the machine.
- Read and observe all safety messages labelled on the machine.

7.3.2 Careful and proper use

- Think about what you are doing at every manoeuvre. Do not be tempted to let routine dull your attention. Never act impulsively or on reflex.
- Despite the extensive safety features, do not seek out dangerous situations.
- This machine sucks up leaves that are lying on the ground at the work site. This ELIET machine is to be used for this purpose only.
- Sucking up other objects can seriously endanger the user and his property. Furthermore, the machine is not equipped to suck up other objects. This will increase wear and tear and reduce the machine's life expectancy.
- The only safe position for the operator while operating the machine is at the handle at the end of the suction hose.
- Never work when light intensity is below 500 Lux.
- Under no conditions whatsoever may the original design of the machine be modified without explicit and written consent from ELIET.
- The machine may never be used as a means of transport for people or loads.



Warning:

The suction force at the suction opening will inevitably also suck up small stones. These will of course be blown out of the blow chute. These projectiles can cause serious damage to property and persons. Be particularly aware of damage that may be caused to glass. Make sure you take this into account when preparing the work.

7.3.3 Operator's responsibilities

- All persons using the machine are assumed to be fully conversant with the safety instructions. They are fully liable for the use of the machine in regard to themselves and third parties.
- The operator of this machine is assumed mature enough and with enough common sense to make decisions by himself.
- The machine may not be operated by minors. However, this does not apply to youths over the age of 16 who are learning to operate the machine under the supervision of an experienced user. This manual must be read before use.
- Children and animals must be kept well away from the machine.
- ELIET advises against lending the machine to others. However, if this should occur, it should only be lent to persons who are familiar with it. Always make sure that the user is aware of the potential hazards and ensure that he/she reads the manual before using the machine.

This machine must only be operated by persons who are in good physical condition. Take a rest if you become tired whilst operating the machine. Do not operate the machine after alcohol consumption.



Warning:

A moment of inattentiveness or carelessness can lead to lifelong regret.

7.3.4 Personal Protective Equipment



For your information:

Personal protective equipment reduces the risk run by the operator.

- The person operating this machine must wear suitable clothing. This means clothing covering the entire body, protective gloves and closed footwear.

- Since your feet run a high risk when operating the machine, sturdy, closed shoes with non-slip soles are a must. Shoes with a steel toe are highly recommended.
- For protection of the most sensitive senses, ELIET recommends hearing protection and safety goggles.
- Dethatching can produce a considerable amount of dust. ELIET recommends using a dust mask if this agitates your respiratory airways (masks should comply with the 89/686/EEC standard).

7.3.5 Danger zone

The only safe position for the operator while operating the machine is at the handle at the end of the suction hose.

- Never allow bystanders within the danger zone - a circle of 15 m around the machine - while working.
- Do not take any risks! If someone enters the danger zone, immediately disengage the propeller drive.
- Shut off the engine when leaving the machine unattended.
- Once the motor is running, the operator should focus all his attention on operating the machine.

7.3.6 Periodic maintenance

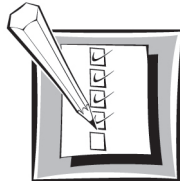


For your information:

For your own safety and in the interest of extending the life of the machine, this machine should undergo regular maintenance.

- Periodic maintenance is essential. You should therefore strictly follow the maintenance schedule in this operating manual. A maintenance meter helps you keep track of the machine's hours of operation.
- If parts require replacement due to wear or failure, always go to your ELIET dealer and request genuine ELIET replacement parts. This is of key importance for your own safety.
- Repairs, maintenance and cleaning must only be performed with the engine switched off.

8. Dealer's duties



Warning:

The ELIET Dealer is obliged to explain the workings of the machine to the customer and also point out the possible hazards that are presented by it. Together with the new owner you are expected to carefully go over the maintenance points of the machine. These instructions must be repeated until the new owner has fully understood everything.

- The dealer shall make a final test drive and check that all devices operate properly.
- The rpm will be set at 3,200 rpm.
- The dealer checks that all safety features work perfectly.
- Every ELIET dealer warrants a long life span of ELIET machines. He will lubricate the hinges before delivering the machine to the client.

Important information for the new owner at the time of delivery:

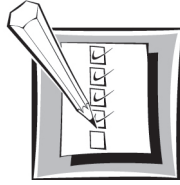
- The dealer familiarizes the new owner with the machine's operation.
- The dealer informs the new owner of potential dangers.
- The dealer shall insist that the machine be returned for a first service after 10 hours of operation (belt tightening is required).



Please note:

The dealer ensures that the warranty card is filled out and signed. The purpose is to avoid warranty disputes. Please read the warranty conditions for more details.

9. Operating instructions



9.1 Preliminary checks



Caution:

Before starting to operate the machine, it is best if one makes a habit of checking the following points:

The purpose of the machine is to suck up leaves and blow them into an enclosed area such as a trailer or truck.

What are the prerequisites? :

- 1. Enclosed area:** It must be possible to close down the space provided by the trailer or truck adequately, in order to allow the leaves to be collected efficiently.
- 2. A solid wall:** At least one wall of the trailer or van must be free so that the suction device can be hitched to it. The wall, its hinges and attachment points must be sturdy enough to safely support the weight of the truck loader.



Caution:

If there is a window in this wall that connects the passenger area and the enclosed area in the truck, always be aware that there is a very real risk of glass breakage if leaves are blown into this closed area. Protect this glass adequately.

9.1.1 Hitching the TL450 PRO HD to a trailer or van

- Before hitching the TL 450 PRO HD to the trailer or van, the support legs must be retracted so that they do not cause problems when hitching.
- The TL 450 PRO HD suction device is always delivered on a carrier frame. If the truck loader has been in storage, the entire weight will be borne by this carrier frame. There are three options in this instance. There is a stationary frame on fixed legs, there is a frame with swivel casters or there is a construction on swivel casters that is equipped with a lifting system.
- If the optional lifting system is not provided and only manual support brackets are present, at least three adults must be available to hang the suction device on the wall of the trailer or truck. These three people must be physically fit. This leaf-collector weighs 160 kg.
- When manually lifting the blower, ELIET recommends adhering to the following ergonomic guidelines:
 - a) Place the machine on its supporting frame as closely as possible to the wall so that it only has to be moved a short distance.
 - b) Before anyone takes hold of the machine, the people concerned must make sure they will not have to make a turning movement during lifting.
 - c) First try to estimate the weight to be lifted as accurately as possible
 - d) Do not overestimate your own strength; the least excessive burden on the spinal column can cause long-term damage.
 - e) Try to keep the weight as close as possible to the body.
 - f) Try to stand firmly at the point at which the machine is to be lifted.
 - g) Take a firm grip on the machine at a point that corresponds to the height to which it must be lifted.
 - h) The lift itself should involve the strong leg muscles and not the weaker back muscles (bend your knees and lift with a straight back).

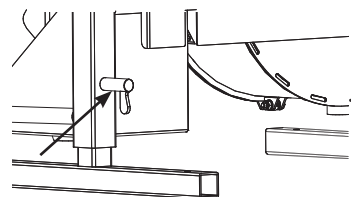


Caution:

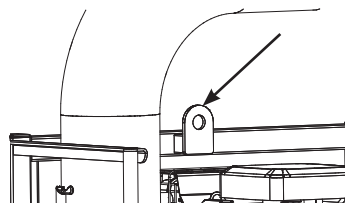
Lifting heavy weights incorrectly can lead to severe damage to the spinal column. Back problems are very painful and may continue for the long-term.

Carrier frame with lifting system

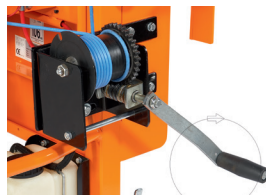
- In the event that the device incorporates a carrier frame with a lifting system, the operator will be able to attach and connect the blower on his own.
- Before lifting the machine, the two pins that are used to secure the TL450 PRO HD to its carrier frame must be turned around.



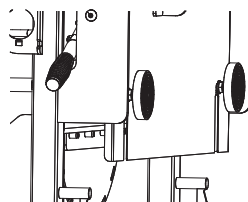
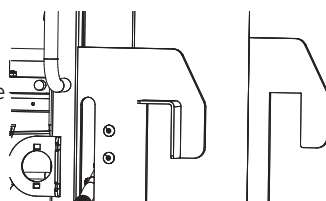
- The hook on the lifting belt must be hooked into the eye at the top of the TL450 PRO HD.



- In order to hoist the TL 450 PRO HD with the winch, the people carrying out the procedure must be situated in the load area of the vehicle as this puts the winch at a practical height.
- Both hands must be placed on the handle if the machine is to be lifted or set down with the winch.
- The TL 450 PRO HD will be raised if the winch is turned to the right. Raise the machine until it reaches the height that allows the attachment hooks to be hitched to the vehicle's side.

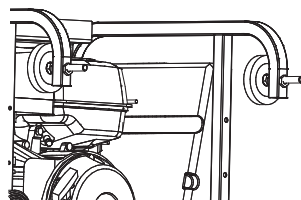


- Press the machine against the side of the vehicle and lower the TL450 PRO HD so that the attachment hooks are properly secured.
- The handle must be turned to the left to lower the machine.
- The swivel casters are still resting on the ground. These must also be lifted before transportation.
- The carrier frame must be lifted manually. The lifting belt must first be unhitched from the TL450 PRO HD.
- The carrier frame must then be secured in its raised position with the two pins that were previously turned around. The pins can be inserted into the regularly spaced holes that are provided in the guides.
- Ensure that 3 m area around the machine is free from people before lifting or lowering the machine.
- Never stand under or position any parts of your body under the TL450 PRO HD when the handle is being turned.
- If a forklift, crane or hoisting installation is available, the blower can be attached to the side of the vehicle using this equipment. An eye is provided on the top of the machine for the purpose of attaching it to a hoisting device.
- When using the TL450 PRO HD, it must hang horizontally and the chassis must hang parallel to the vehicle side. This can be adjusted by releasing the support legs. Ensure that the blower is supported by the two legs simultaneously. Secure the locking nut tightly.

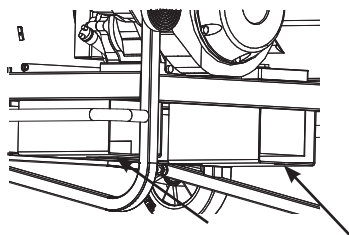


9.1.2 Hitching the TL450 PRO HD to a trailer or van

- Before hitching the TL 450 PRO HD to the trailer or van, the support legs must be retracted so that they do not cause problems when hitching.



- If a forklift, crane or hoisting installation is available, the blower can be attached to the side of the vehicle using this equipment. An eye is provided on the top of the machine for the purpose of attaching it to a hoisting device.
- If a forklift is available, the TL450 PRO can be lifted into the proper place.



- When using the TL450 PRO HD, it must hang horizontally and the chassis must hang parallel to the vehicle side. This can be adjusted by releasing the support legs. Ensure that the blower is supported by the two legs simultaneously. Secure the locking nut tightly.

Try making a habit of checking the following points before starting to work with the machine:

9.1.3 Checklist

- Check the total number of hours the machine has operated and compare this to the maintenance table.
- Check that the belt tension (TL450 PRO HD) is adequate. If not, adjust it.
- Check that all protection covers are present and properly in place.
- Check that all safety provisions on the machine are still operating properly.
- If the machine is equipped with a maintenance meter, check that it operates at the indicated speed (3,200 rpm). Never attempt to change the default settings of the motor.
- Check whether there is sufficient oil in the engine.
- Check that the fuel tank is full. If necessary, fill up the tank with fuel.
- Check the air filter for excessive dirt.
- Check that the propeller is in a good condition. If the propeller shows ruptures or fractures, it must be repaired prior to use.
- Check that the tensioning bolts of the propeller are sufficiently tight.

After verification and approval of all points on the checklist, the work area can be prepared and the machine wheeled to it.

- When petrol in the machine is running low, it must be refuelled. Under certain conditions, petrol is extremely flammable and highly explosive. Fires and petrol explosions can inflict severe burns and cause damage to personal property. Consequently, the following points should be observed:
1. Never refuel with the engine running. Always allow the engine to cool off for several minutes prior to fuelling.
 2. Use fresh petrol only. ELIET is environmentally conscious and, therefore, recommends using unleaded petrol. Additives may be used for extended fuel freshness.
 3. Store petrol in an approved tank. Keep out of reach of children.
 4. Never refuel at the location where the machine will be operated. Make sure this takes place at least 7.5 m from the selected working area. Doing so will avoid creating a fire hazard.
 5. Clean the area around the fuel cap and remove it. Do not fill the tank completely. Fill up to approximately 6-13 mm from the brim. So never fill it up to the brim.
 6. Always use a funnel or a spout for refuelling.
 7. Put the cap back on the tank. If any petrol is spilled while refilling, then the motor should be immediately cleaned.
 8. Make sure that clothing does not come into contact with the fuel. If this does occur, the clothing must be changed immediately.
 9. It is irresponsible and therefore strictly prohibited to refill the tank in immediate proximity to people who are smoking or near open fire.

9.2 Preparing the work area

- Never work when light intensity is below 500 Lux.
- Besides the machine, the work area must also comply with certain conditions; they must be verified prior to starting the work.
- Survey the work site and remove all objects that must not be sucked up by the machine (e.g. cans, rope, branches ...)
- Ensure that nobody is located in the enclosed area, near the blower opening when the truck loader is put into operation.
- The standard length of the suction hose is 3.5 m. This means that it can clear an area 7 m in circumference. This must be taken into consideration before defining the work route.

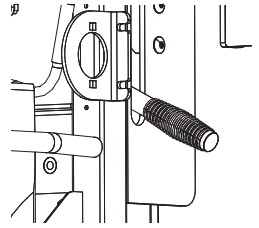
9.3 Starting the engine



Caution:

Never start the machine when dust has settled on the engine or between its cooling fins. It reduces proper cooling of the engine and can furthermore cause a fire.

- Never run the engine in an enclosed space. This causes severe risk of carbon monoxide poisoning from the exhaust fumes.
- The operator must wear appropriate clothing. (General safety instructions)
- The engine will run only with the suction arm attached to the suction opening of the turbine. Disengaging the functionality of the safety switches in any way is strictly prohibited.
- The propeller of the TL450 PRO is disengaged by turning the handle on the right side of the machine.
- The operator must stay alert while working. As long as he is operating the machine, his full attention must be on the job.
- Only ever work with the machine if visibility is sufficient. There must be adequate light.
- While working, if you notice any strange noises, then cease operation immediately. Disengage the turbine and stop the engine. Examine the defect and perform any necessary repairs before continuing.
- Repairs, maintenance and cleaning must only be performed with the engine turned off and the spark plug cap decoupled.



Warning:

Be aware that the propeller of the TL450 PRO HD will continue to rotate for a while after being disengaged; caution is therefore advised.

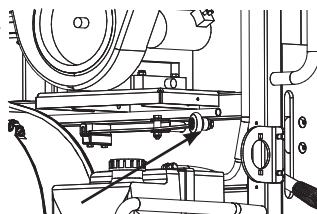
Always check the engine for adequate oil and fuel levels before starting. (see general servicing)



Caution:

For optimum protection of your hearing you are advised to put on hearing protection prior to starting the engine

- You must be aware that the engine can only start if the suction hose has been attached to the suction opening.
- To place the suction hose on the suction opening, raise the metal plate on the side of the suction opening so that the hose interrupts the contact from this plate to the suction opening. The tension belt is then slid over the collar of the turbine suction opening and is turned so that the hose is firmly attached.
- Depending on the type of engine, move the lever or turn the switch to the ON position.
- Set the choke (throttle) handle to "Close".
- Open full throttle, represented by the image of a hare.
- Engage the engine by firmly pulling the starter cord, or turn the key to the ON position.
- The engine running, set the choke handle to "Open". This prevents the motor from getting too much petrol.
- If the choke is not reopened, the engine will slow down and start to smoke heavily, and eventually come to a stop. Restart the engine without opening the choke if this happens.
- The engine's failure to restart could indicate a soaked spark plug which then needs to be replaced.
- To turn off the machine, the propeller drive of the TL450 PRO HD must first be switched off. This is done by pressing the button on the front of the machine.
- To stop the engine, switch the throttle or turn the knob to the "OFF" position
- If the machine is equipped with a fuel tap, close it.



9.4 Operating the machine

- All preparatory measures should have been taken before arriving at the work site as described in point 9.1. When you are sure these have been completed, you can begin the procedure for starting the engine.

TL450 PRO:

- As soon as the engine is running, the propeller wheel in the turbine is active. Keep this in mind; make sure that no items are unintentionally sucked up.
- In case of emergency, turn the engine off.

TL450 PRO HD:

- When the engine is running, the propeller wheel in the turbine is not yet active. The propeller begins to turn when belt tension is increased. To do this, turn the black lever on right side of the machine.
- When moving the clutch lever, you are advised to hold the hose's suction opening so that it cannot suck up any unintended objects when starting up.
- Before engaging the propeller, ensure the engine is running at full capacity.
- Be careful when engaging the transmission. Increase the belt tension very gradually and be aware of the engine activity. The engine must be given sufficient time to overcome the inertia of the propeller.
- If you wish to let go of the carrying handle on the suction hose you must reduce belt tension to the propeller by moving the clutch lever.
- In an emergency, turn the clutch lever and turn off the engine.

**Warning:**

Be aware that the propeller will continue to turn for some time once the machine has been turned off; caution is therefore advised.

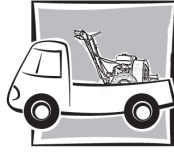
- When sucking up leaves, the suction opening must never be fully pressed onto the ground. There must always be room for sufficient air to be sucked up.
- The leaves that have been sucked up will be blown into the trailer or truck. The expulsion direction can be modified. See Appendix

**Caution:**

Only ever change the expulsion direction when the engine is turned off.

- If the leaves to be cleared are wet and are sticking to one another, they must be sucked up gradually. You must avoid clumps of sticky leaves being sucked up in one go. This could lead to the suction hose becoming blocked or increase wear and tear on the drive if this mass of leaves suddenly impacts upon the propeller.
- The suction hose should be kept extended when sucking up leaves. Kinks in the hose will also increase the chance of it becoming blocked.
- Should the hose get blocked nonetheless, one may attempt to loosen the clump of leaves by tapping on the hose or moving it backwards and forwards at the location of the blockage. A transparent hose will allow the blockage to be located more quickly. The above procedure must be carried out along the length of the hose if it is not transparent.

10. Transporting the machine



- Only adults are permitted to move or transport the machine.
- For safe transport it is essential that the TL450 PRO (HD) be attached firmly to the trailer or the van. Make sure the machine is tied down firmly. Use the support brackets as attachment points for ropes. The device must be attached so that movements made by the vehicle as a result of bumps in the road do not lead to the machine coming loose from the wall to which it is attached.
- Even if the machine is secured firmly with ropes for transport over long distances, the speed of the vehicle must not exceed 60 km/h.
- Choose the route that presents the fewest obstacles. The transport route is preferably flat, with an even surface.
- The suction hose must be detached entirely and stored separately if the machine is to be transported over long distances. The support arm for the suction hose must also be detached and stored. The support arm is secured at the base with a quick-release pin.
- The engine does not have to be switched off if the machine is to be transported short distances between work zones. The propeller drive of the TL450 PRO HD, however, must be disengaged.
- The people who are unhitching the TL450 PRO (HD) must endeavour to keep it as upright as possible. The machine's centre of gravity is quite high. This means that if it tilts, the mass of the machine will have a huge impact upon this tilting movement. The weight of the machine (160 kg) may take the persons concerned by surprise.
- When driving in reverse, one must be aware of the additional length of the TL450 PRO (HD).

11. Maintenance



11.1 General



For your information:

The dealer and his staff are always at your service. The Eliet dealer can also rely on the ELIET help desk for support so we can always find a solution for any problems you may have. For repairs or maintenance you can turn to your authorised ELIET dealer or a service centre authorised by the engine manufacturer. Please always submit the model and serial numbers of the machine and the engine, as well as a complete description of the problem. Only use original ELIET replacement parts. These service parts are manufactured according to the same strict quality requirements and craftsmanship as the original equipment. For your own safety, only original parts should be mounted on ELIET machines.

- Maintenance must always be carried out in an area intended for that purpose. This area must meet the following criteria:
 - Spacious
 - Well lit
 - Clean and tidy
 - Easily accessible
 - Dust-free
 - Quiet

These characteristics are important to properly carry out maintenance tasks.



Caution:

Maintenance performed in an incorrect manner may compromise the operator's safety. Maintenance should be always carried out with the engine turned off. Always wear safety gloves when performing maintenance. Safety goggles may be required for certain operations.

- In principle, the maintenance works described may be carried out by any person with technical skills. Nevertheless, ELIET recommends that the machine be brought to an official ELIET dealer for a complete inspection every year.
- Your ELIET dealer is always ready to carry out maintenance and provide advice. He stocks genuine ELIET replacement parts and lubricants. His staff can always obtain advice and service from ELIET's help desk in order to provide you with an impeccable after-sales service.

11.2 Lubricants

Hinges	NOVATIO WHITE SUPREME GREASE
Engine	1.1L SUNOCO SUPER DENALUBE SAE 20 W50 API SF/CC
Bearings	SUNOCO GREASE MULTI-PURPOSE LR-EP2

11.3 Routine check before each operation

11.3.1 Visual check

Check that no parts have been deformed, that welded seams are not cracked and that parts are not excessively loose. If problems are found, carry out the necessary repairs first.

11.3.2 Engine oil level

- Take a clean cloth.
- Pull the dipstick from the filler opening.
- The oil level will usually be hard to read immediately. Wipe the dipstick with your clean towel and re-insert it without fastening it.
- Pull the dipstick out again; you will now get an accurate reading of the oil level.
- The oil sticking to the dipstick should be between the minimum and maximum mark.

11.3.3 Cleaning the air filter

The type of air filter may differ slightly depending on the engine brand and type. Always read the engine manual first.

- The air filter is located under the black protection cover next to the fuel reservoir on the machine.
- Loosen the black protection cover.
- There are two types of filters: the common sponge filter and a paper filter, similar to the air filter of a car.
- Sponge filters can be cleaned by rinsing them with some petrol and blowing them with compressed air.
- Paper filters are cleaned by dusting them down or cleaning with compressed air.
- After cleaning, return everything to its original position.

- The machine must not be tilted during maintenance work.

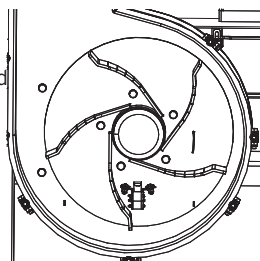


Caution:

Should the machine have toppled over for some reason, you must set it upright again as soon as possible. The unusual position of the engine may have caused oil to seep from the crankcase via the carburettor onto the air filter. Oil on the filter paper obstructs the air passage and the filter must therefore be replaced.

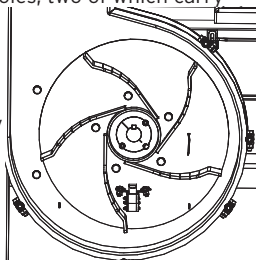
11.3.4 Checking the propeller

- For your and other people's safety it is of key importance to regularly check the propeller for ruptures. In order to investigate this easily, the protective plate must be removed from the suction opening. See Appendix (A torch will be required to now inspect the dark turbine area).
- If any deformities or ruptures are discovered on the propeller, repairs must be carried out immediately. In this event, it is not only a question of welding the rupture, but also of rebalancing the propeller itself.
- In order to dismantle the propeller, the full front plate of the blower must be detached. See Appendix
- Once the front plate has been removed, the propeller can be accessed easily. This propeller is mounted directly onto the crankshaft. The propeller mounting is hidden behind the hood that is secured with one M8 bolt (spanner 13).
- In order to ensure that the propeller cannot come loose, it is secured with a special conical bushing on the crankshaft.



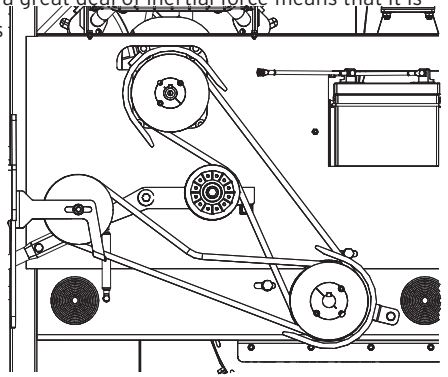
How to dismantle the propeller:

- At the heart of the propeller is a conical drill socket. There are three holes, two of which carry a socket-head screw.
- One of these bolts must be fully unscrewed. The other must be half undone.
- The fully loosened screw is then screwed into the hole that was initially empty. After screwing it in, secure it tightly. While securing it, the two parts of the socket head will come apart.
- The entire propeller can now be slid off the crankshaft.
- Make sure not to lose the wedge in the crankshaft while dismantling the socket head.



11.3.5 Checking belt pulleys TL450 PRO HD

- As is the case with the propeller, both belt pulleys are secured to the respective axles with conical drill sockets.
- The fact that the propeller drive has to deal with a great deal of inertial force means that it is important to regularly check that the belt pulleys are properly secured.
- To do so, the protective plate of the drive belt must be removed. Use a spanner size 10 to undo the 3 bolts.
- The conical drill socket will be visible in the centre of each belt pulley. If you look carefully, bolts are only secured in two of the three holes, i.e. between the drill socket and the belt pulley.
- An Allen key 6 can be used to tighten up the two bolts.
- If the belt pulley mounting is sufficiently tight, the protective cover can be replaced.



11.3.6 Cleaning the machine

- Failure to clean the machine will induce quicker wear. Any suboptimal performance of the machine can compromise the operator's safety.

Failure to clean the machine can cause:

1. increased wear of the bearings
2. increased wear of covers
3. reduced cooling
4. fire hazard
5. inability to notice cracks or tears
6. damage to the paint
7. illegibility of stickers



Caution:

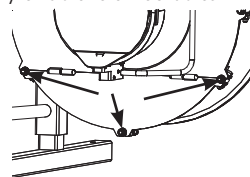
Wear suitable clothing for cleaning activities. Utility gloves are necessary.

- Thus, after each use, it is recommended to clean the machine. Cleaning the machine can also be regarded as a visual check. This enables one to promptly notice any breakage or need for lubrication.

The following points require special attention:

- The engine should be clear of dust and dirt. The cooling fins in particular as well as the area around the exhaust must be clean. The area around the fuel cap must be kept clean to avoid dirt entering the fuel tank.
- The hinges and bushings must be cleaned of sand and dirt that has become stuck in the lubricating grease. Reapply lubricating grease after wiping the bushings. (Consult the list of lubricants)
- Using a dry cloth, remove any dirt from the frame, particularly where safety stickers have been placed.
- Use a dry cloth or soft brush for any cleaning. Use penetrating oil with MoS2 to remove grease and lubricants. The latter is a lubricant and rust solvent at the same time.
- A steamer may be used for cleaning the machine. The stream of water should not be overly pointed at bearings, protection covers and filler caps. Water is the primary reason for rust and must always be avoided.

ELIET has provided a cleaning valve on the bottom of the machine which enables you to quickly spray the sludge out of the turbine using a water hose. To do so, simply undo the three bolts under the cleaning valve; you can now turn them back and open the cleaning valve.



11.4 Maintenance after 20 hours of operation

11.4.1 General lubrication treatment

ELIET is committed to using high-quality materials that extend a machine's life cycle despite sometimes dusty work circumstances.

For this reason, special lubrication products have already been applied in the factory. ELIET also recommends lubricating all the parts below on a regular basis:

- bearings
- hinges

a. Lubricating the TL450 PRO HD bearings



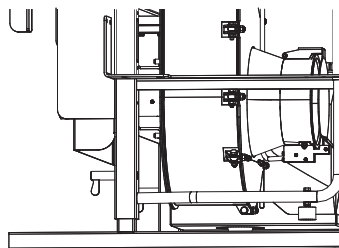
Caution:

As applies to all maintenance work, the engine must be turned off.
Utility gloves are essential.

Bearings are located at two points:

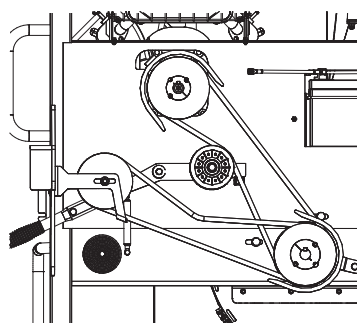
1. The propeller shaft bearing block
2. The bearings for the belt tensioners (TL450 PRO HD)

- In order to simplify the lubrication process, lubrication points have already been provided in the propeller shaft bearing block.
- The lubrication point can be accessed between the turbine and the support system. Place a grease pump on the lubrication point and pump the grease into the bearing casing.
- ELIET recommends good quality lubricants from SUNOCO. (Sunoco Multi-purpose LR-EP 2)



- In order to lubricate the belt tension rollers, the protective cover must first be removed.
- The bearings that are located in the tension rollers are usually equipped with sealing rings that keep dust out. These seals are never perfect. In order to extend the machine's life expectancy, the user must take particular care here.

- Spray a little penetrating oil on MOS2 basis on the bearings and, in particular, on the bearing bush seams. Leave this to settle.
- Use a duster to remove all dirt that has adhered around the bearing seams.



- Spray the penetrating oil into the seams of the bearing seals again so that the oil can penetrate the bearings.
- All excess spray should be removed.
- Now spray Novatio White Supreme Grease into the seams of the bearing seals.
- Make sure that the penetrating oil or lubricant does not end up on the belt or in its immediate vicinity. This could make the belt slip and will lead to increased wear and tear.

b. Lubricating hinges of TL450 PRO HD

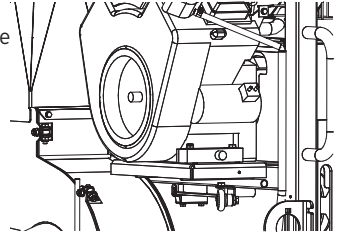
Hinges can be found in these locations:

- The pivot point of belt tensioner
- The decoupling lever
- The pivot point of the supporting arm

- Start by spraying some penetrating oil into the hinges. Allow it to sit for a while.
- Then wipe away old lubricant with a cloth or paper tissue.
- Once the hinges have been cleaned, spray them with Novatio White Supreme Grease.
- All lubricants indicated are available from your ELIET dealer.

11.4.2 Changing the oil

- Ensure that the machine is on an even surface and the engine is turned off.
- At the side of the engine, below the engine foot, a bolt is affixed to the crankcase.
- Have a collection reservoir ready before loosening the bolt. Check the engine manual to find out the oil capacity of the engine.
- Empty the full contents from the motor.
- Replace the bolt on the drain. Wipe away any spilled oil with a clean cloth.
- Refill the engine with fresh 4 stroke oil. ELIET recommends a top quality high-detergent oil: SUNOCO DENALUBE SAE 20W50 API SF / CC.
- The oil is filled through the oil filler opening as described in the engine manual.
- Remove any spilled oil after filling. Before checking the oil level with the dipstick, leave the engine untouched until all the oil has found its way into the crankcase.
- Place the dipstick in the filler opening without fastening it. After pulling it out again, the oil attached to the dipstick should reach the maximum mark. If it doesn't, more oil must be added.



Warning:

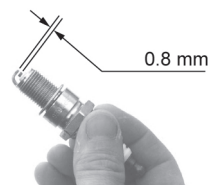
Oil shortage inevitably causes severe engine damage.

11.4.3 Checking the spark plug

- ELIET suggests the following spark plugs:

NGK	BPM 7 A
CHAMPION	BS 19 LM

- Turn off the engine and pull the cable from the spark plug.
- Clean the area around the spark plug and remove the spark plug from the cylinder head.
- The distance between the electrodes is 0.8 mm.
- If the spark plug is heavily contaminated or dirty, it must be replaced



Complete the following steps to verify ignition quality:

- Put the spark plug cap back on.
- Grab the rubber of the spark plug cap and press the outermost electrodes against the mass of the engine.
- Pull the starter cord.
- Meanwhile, check for sparks between the electrodes.
- The spark plug is in good condition if the sparks are clear and neatly centred between the electrodes.
- Weak, irregular and off-centre sparks indicate that the spark plug must be changed.

Note: engine ignition will only be successful if the safety contact is broken by placing the suction hose on the suction opening and if the switch is set to ON.

- Replace the new or old spark plug with care so as not to damage the screw thread. Secure the spark plug with a torque of 20 Nm.

11.4.4 Changing the air filter

- This procedure is exactly the same as for cleaning the air filter.
- Contact your ELIET dealer or authorised engine service centre to purchase the proper air filter.

11.4.5 Belt drive tension of the TL450 PRO HD



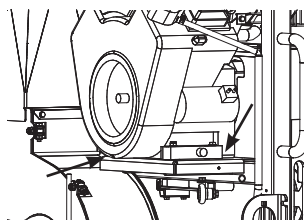
Caution:

When adjusting the belt tension the engine must be turned off and the spark plug cap removed.

- To check the tension of the drive belt, the protective cover behind the leaf sucker must be removed. To do so, the 3 M6 bolts must be undone (spanner 10).
- The decoupling lever must be moved so that the belt tensioner presses against the belt. The

belt tension can now be checked to ensure it is tight enough. If the belt can be manually pressed together so that the belt tensioner loses contact with the belt, there is too little tension on the belt.

- Belt tension can be increased by sliding the engine block slightly backwards. Slotted holes in the engine support are provided for this purpose. The bolts that must be undone in order to move the engine are easy to access (spanner 13).
- Before loosening the engine, use a felt pen to mark the front and back of the engine foot on the engine support. This will save a great deal of time and effort when trying to align the belt.
- Slide the engine block backwards. Ensure, when doing so, that the belt does not remain tensioned in a decoupled state.
Reference: Sliding the engine 1 mm gives 2 mm tension on the belt.
- The bolts have some 'play' in the slotted holes so it is important that the engine is clamped when the belt pulleys are aligned. The marks we made before loosening the engine can now be used as guides. The engine can now be secured.
- In order to check alignment, place a straight rod against the belt pulleys and then verify that the pulleys touch two belt pulleys at four points. If this is the case, the engine can be secured properly.
- If the check is negative, the engine must be undone slightly. Gently hit the engine block with a rubber mallet at the location where the belt pulley fails to come into contact with the straight rod. This will rectify the deviation. The bolts can then be secured tightly.

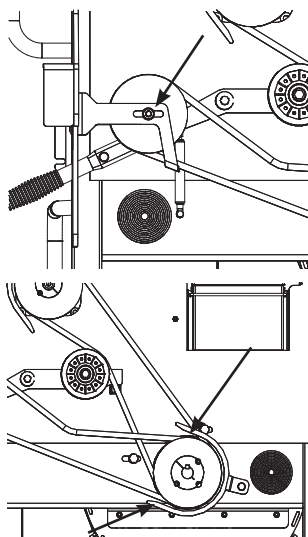


Extra function:

When moving the decoupling lever, the propeller will be inhibited by a second v-belt. The tension on this belt can be adjusted by undoing the bolt in the farthest belt pulley.

This v-belt should only be slightly tensioned so that it only works when braking and does not rotate when the machine is in normal use.

The belt guides must be set so that the unused belt does not rotate with the turbine's v-belt pulley when this is driven by another belt.



12. Storing the machine



Clean the machine.

When storing the machine for an extended period, it is recommended to follow the steps below:

- Conduct thorough maintenance.
- Check all nuts and bolts and fasten them where necessary. Most bolts require the use of two spanners of 10, 13 or 17 mm.
- To avoid rust on the machine, touch up all chipped areas or treat them with anti-rust grease. Original paints/enamels in the appropriate colours are available from your ELIET dealer.
- Store the machine in a cool, dry storage area, away from possible rain. If necessary, cover it with a tarp.
- Always allow the machine to cool down before storage.
- If the machine is stored outdoors, it must be properly covered with a tarp. Avoid precipitation coming in direct contact with the machine. ELIET highly recommends a sheltered storage place.
- Empty the fuel tank This can be done simply by letting the motor run until the machine hits empty. Use a pump siphon to transfer fuel into a jerry can.
- Remove the spark plug (read the spark plug maintenance instructions). Spray the spark plug hole with a little penetrating oil on MoS₂ basis in the cylinder cavity. Pull the starter cord until the piston is in its uppermost position. Replace the spark plug.

13. Equipment specifications



	TL450 PRO	TL 450 PRO HD
Engine	9hp Honda GX270	14hp Subaru EX40
.....	13hp Honda GX390	18hp B&S Vanguard ES
.....	18hp B&S Vanguard ES	
.....	23hp B&S Vanguard ES	
Electric starter	no/yes	yes
Contents of the petrol tank.....	12L	20L
Air flow.....	108 m ³ /min	108 m ³ /min
Air speed	260 km/h	260 km/h
Turbine material	steel plate 3mm	steel plate 3mm
Turbine diameter	450mm	450mm
Turbine noise reduction	Yes	Yes
Cleaning valve	Yes	No
Propeller.....	5 paddles	6 paddles
Propeller diameter	380mm	380mm
Orientation of blow chute.....	360°	360°
Transmission.....	Direct	Belt
Suction hose	3.5m	3.5m
Dimensions.....	980 x 790 x 1520mm	1140 x 800 x 1430mm
Noise level.....	112 dB(A)	105 dB(A)
Weight	125kg	160kg
Wheels for transport.....	yes/diam. 200mm	no

Options

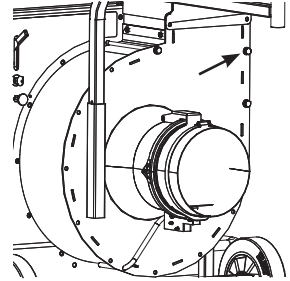
Supplement suction hose	yes	yes
Trailer	no	yes
Frame on swivel caster.....	no	yes
Frame with lift system	no	yes
Turn extension.....	no	yes
Suction opening easy handle.....	yes	no
Hour counter	yes	yes

14. Appendices

14.1 Dismantling the turbine protection plate

For dismantling the turbine protection plate, loosen the 12 screws (TL450 PRO) or 12 bolts (TL45 PRO HD). The blower nozzle must first be detached in order to remove the front plate. This blower nozzle is secured with a fixing washer.

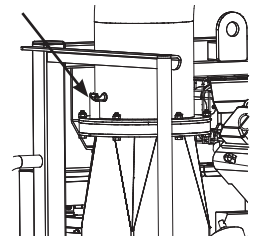
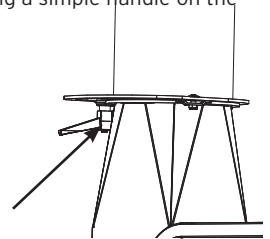
Ensure that the wire that runs to the safety contact underneath the suction nozzle does not get jammed or wedged when removing the front plate.



14.2 Changing the blowing direction of the blow chute

The blowing direction of the blow chute can turn 360°. This is done using a simple handle on the blow chute on both versions of the TL450 PRO (HD). Loosen the handle and place the blow chute in the desired position. Do not forget to again secure the blow chute before restarting the engine.

It is forbidden to rotate the blow chute while the engine is running.



15. Warranty conditions

Dear Customer,

We thank you for purchasing an ELIET product. Congratulations on your purchase of this machine which is sure to exceed your expectations and needs over the coming years. At ELIET, we do everything to ensure that our products function properly. That is why your product comes with a two-year warranty.

What is the warranty?

At ELIET, the design and production of our products are subject to strict quality rules. The purpose of these rules is to guarantee a long service life and permanent safety. That is why ELIET is happy to repair any hidden defects or faults during the whole run-in period (i.e. the warranty period) free of charge, provided the prescribed procedure is followed.

Warranty conditions

ELIET's warranty obligations for new machines are governed by the following conditions.

I. Warranty period

The warranty period starts the day the dealer delivers the machine to the customer (maximum one week after the purchase) and expires:

- After two years for private use.
- After twelve months or 100 hours of operation for rental use.
- After twelve months or 100 hours of operation for semi-professional and/or professional use.

To apply for this warranty the customer must register the purchased product with ELIET and complete the registration details on the website:

www.elieta.eu. If you do not have access to the Internet, please complete the attached registration card and return it to ELIET.

II. The warranty does not apply to the following parts or in the following cases:

- Parts that are subject to wear and tear (e.g. blades, bearings, belts, chains, gearwheels, tyres, bulbs, fuses, etc.) are not covered by the warranty conditions.
- Defects caused by improper use, neglect or consequential damage by an external source (fall, chippings, foreign objects, accident).
- Defects caused by improper maintenance of the machine, hence contrary to the prescribed periodic maintenance.
- Defects caused by improper repairs carried out by others than authorised ELIET dealers or after using other than original ELIET replacement parts.
- Defects caused by making improper changes to the original design of the machine.
- Faults occurring as a result of machine use contrary to the instructions contained in this manual.
- Failure to observe the prescribed warranty procedure or expiry of the warranty period.

- For all problems relating to the engine, please contact an authorised service centre of the engine manufacturer.

III. Procedure

- **Step 1:** On the date of purchase, the customer registers his/her purchase by completing the registration card online at: **www.eliyet.eu**. In addition, the enclosed registration card is completed in its entirety on the day of purchase. The first part of the card has to be returned to ELIET within one month. The customer is required to keep all remaining parts of the card along with the purchase invoice for the duration of the warranty period.
- **Step 2:** In the event of a defect, the customer shall have it verified by the authorised ELIET dealer. If the dealer finds a manufacturing defect, he may invoke the warranty under the terms specified.
- **Step 3:** Every warranty application must be accompanied by a fully completed official application form. Dealers may request application forms from ELIET or from an ELIET importer/agent.
- **Step 4:** The dealer orders the parts necessary to perform the repairs. Next, the dealer faxes the order form together with the completed warranty form and a copy of the registration card to ELIET.
- **Step 5:** The warranty form must be stapled to the purchase invoice and sent to ELIET or an ELIET importer/agent.
- **Step 6:** ELIET sends the parts ordered to the dealer under the regular delivery and payment conditions.
- **Step 7:** The defective part will be examined by ELIET's technical department prior to approving or rejecting the warranty. ELIET reserves the right to unilaterally decide whether or not the customer has complied with all the conditions applicable to the one or two-year warranty. Faulty components automatically become the property of ELIET.
- **Step 8:** If a warranty claim is found to be valid, ELIET will credit the warranted parts. Customers are never entitled to a refund of labour costs.

IV. In the event of damage caused by transport:

- All goods are supplied ex factory. Transport risks shall be borne by the customer. ELIET therefore recommends checking the goods for damage on arrival.
- Any damage found must be detailed on the delivery form before signing. Make sure the driver of the transport company puts his signature next to the details about the damage on your copy.
- In the absence of a written and signed statement on the delivery form, the transport insurance company will not accept any liability.
- Claims for damages must be submitted to the carrier and shall include a copy of the delivery form and a covering letter detailing your complaint.
- The damaged machine should be kept in its original condition until the carrier's insurer has performed an examination.

**REGISTRATIONCARD
ELIET CUSTOMER SERVICE**

To be able to claim the full rights to which you are entitled, it is important to register within a month after the date of purchase. Therefore fill out this registration form and return the first registration card to the ELIET Customer Service. Your purchase should be registered on the ELIET website: www.eliel.be

**REGISTRATIEKAART
ELIET KLANTDIENST**

Om als klant, aanspraak te kunnen maken op waarborg dient men zich binnen de maand na aankoop bij ELIET te registreren. Hiervoor vult u onderstaand document volledig in en stuurt het eerste deel van deze registratiekaart naar de ELIET klantendienst terug. Registreer uw aankoop op de ELIET website: www.eliel.be

**CARTE
SERVIEU**

Pour profiter de tous les avantages dont vous êtes titulaire, il est important de vous inscrire dans le mois suivant l'achat. Complétez donc ce formulaire de carte d'inscription et renvoyez la première partie au Service Client ELIET. Inscrivez votre achat sur le site Internet ELIET: www.eliel.be

ELIET

 Registration card
Registratiekaart
Carte d'enregistrement
Registratiekaartje

 ELIET Customer Service
Zwevegemstraat 136
B-8553 Otegem
Belgium

Customer Identity / Klantgegevens / Données du Client / Kundendaten

Name / Naam / Nom / Name		First Name / Voornaam / Prénom / Vorname	
Street / Straat / Rue / Strasse		Nr / Nr / N° / Nr	Box / Bus / Boîte / App.
City code / Postr / Code Postal / Postleitzahl	City / Plaats / Ville / Stadt	Country / Land / Pays / Land	
Telephone / Telefon / Téléphone / Telefon-Nr.		Fax / Fax / Télécopieur / Fax	
E-mail			

Machine identity / Machinegegevens / Données de machine / Daten Maschine

Model / Model / Modèle / Modell		Year of manufacture / Bouwjaar / L'année de construction / Baujahr	
Article Code / Artikel code / Code d'article / Artikel-Nr.		Serialnumber / Seriennummer / Numéro de série / Serien-Nr.	
Date / Datum / Date / Datum			
Signature Handtekening	Stamp of dealer Stempel van handelaar		
Signature Unterschrift	Cachet de revendeur Stempel Fachhändler		

I declare that all information that was filled in is correct and truthful. I also declare to have read and understood the operations manual and the warranty conditions.
Ik verklaar dat al deze gegevens waarheidsgetrouw werden ingevuld. Hierdoor geef ik te kennen de garantievoorwaarden en handleiding te hebben gelezen en begrepen.
Je déclare que toutes les données complétées sont correctes et véridiques. Je déclare également d'avoir lu et compris les notes de mode d'emploi et les conditions de garantie.
Ich erkläre hiermit, dass alle angegebenen Daten korrekt und wahrheitsgemäß gemacht wurden. Ich erkläre ebenso, dass ich die Garantiebedingungen gelesen und verstanden habe.

Put a crossmark to which application this machine was used
Zet een kruis bij de toepassing waarbij deze machine wordt ingezet
Indiquez avec une croix l'emploi dans lequel la machine a été utilisée.
Kreuzen Sie an, für welche Art von Gebrauch die Maschine bestimmt ist.

- Home use / Particulier gebruik / Usage particulier / Private Nutzung
 Professional Landscaping / Hoveniersbedrijf / Usage Professionnel / Gewerbliche Nutzung
 Forestry / Bosbouw / Forêt / Forstbetrieb
 Public Grounds/ Openbare groenvoorziening / Espaces Verts Public / Öffentliche Grünflächenversorgung
 Rental / Verhuur / Location / Vermietung

Dit document dient binnen de maand na aankoop teruggestuurd te worden naar de ELIET Klantendienst.

This document has to be returned to ELIET Customer Service within a month after purchase.

Renvoyez ce document au Service après-vente ELIET dans le mois suivant à la date d'achat.

Dieses Dokument muss innerhalb eines Monats nach Kaufdatum an den ELIET Kundendienst zurückgeschickt werden.

16. EC Declaration of Conformity

Machine : **Leaf collector**
 Model : **ELIET TL450 PRO - TL450 PRO HD**
 Type: **MA 015 010 113**
MA 015 010 439
MA 027 010 113
MA 027 010 117
MA 027 010 208
MA 027 010 209

These machines were designed and manufactured in conformity with the requirements in the European directives below:

EN 15503: "Garden equipment - Garden blowers, vacuums and blower/vacuums - Safety"

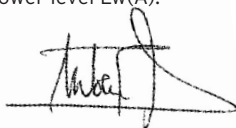
The ELIET machine factory hereby declares that after performing a hazard analysis, it is fully aware of the potential hazards and risks associated with the machine. Based upon this knowledge, the necessary steps have been taken in line with Machine Directive 2006/42/EC in order to ensure full operator safety when the machine is used correctly.

The value of the measured sound power and the guaranteed sound power were obtained by applying the procedures described in European Directive 2006/42/EC, Appendix III/B point 35 and in conformity with the requirements in EN 15503

	TL450 PRO HD	TL450PRO
Measured sound power levels Lw(A):	105 dB(A)	112 dB(A)
Guaranteed sound power level Lw(A):	106 dB(A)	113 dB(A)

Date: 01/01/12

Signature:



Frederic LIETAER
 Business Manager ELIET EUROPE NV
 born 02/01/1975

ELIET EUROPE NV
 Diesveldstraat 2
 B - 8553 Otegem
 Belgium
 Tel : +32 56 77 70 88
 Fax :+32 56 77 52 13
 E-mail : info@eliet.be

